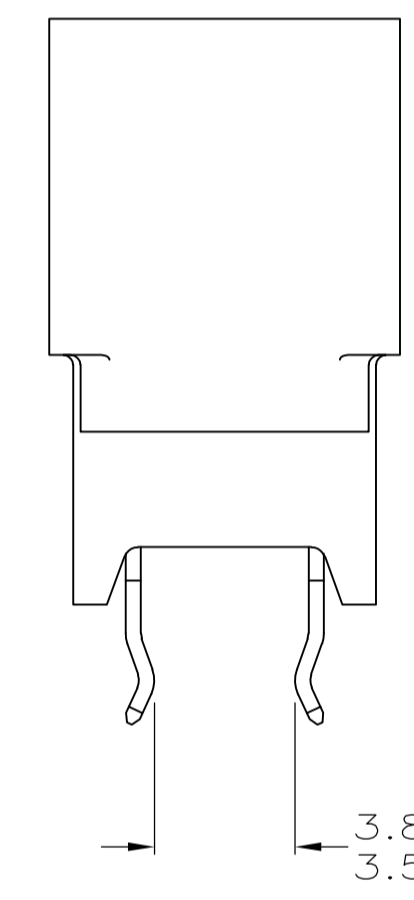


- MATERIAL:  
HOUSING: GLASS FILLED POLYESTER; COLOR: BLACK.  
CONTACT: PHOS BRONZE
- FINISH:  
(SEE TABLE) GOLD PLATING IN CONTACT AREA,  
0.00254 [.000100] MIN TIN-LEAD ON SOLDER POSTS, ALL  
OVER 0.00127 [.000050] MIN NICKEL
- 0.00076 [.000030] MIN GOLD
- 0.000076 [.000003] MIN GOLD FLASH
- AMP LOGO, TE PART NUMBER, DATE CODE AND CSA LOGO INK  
STAMPED WHITE (HOT STAMPED OR LAZER PRINTED) IN THE APPROXIMATE  
AREA SHOWN, EITHER SIDE PERMISSABLE, WHEN HOUSING SIZE PERMITS
- RECOMMENDED PCB FINISHED HOLE DIAMETER = 1.02±0.08  
[.040±.003]
- THE RETENTIVE FEATURE OF THIS CONNECTOR IS DESIGNED FOR  
FULL SEATING IN 1.57±0.20 [.062±.008] THICK CIRCUIT BOARDS.  
FOR APPLICATIONS IN BOARDS OF OTHER THICKNESSES, CONTACT  
TYCO ELECTRONICS



BOARD RETENTION FEATURE  
(SEE TABLE FOR LOCATION)

OBSOLETE	2-645235-1
OBSOLETE	1-645235-3
OBSOLETE	645235-7

PART NUMBER

Feature	Locations	149.86 [5.900]	154.94 [6.100]	156.21 [6.150]	159.00 [6.260]	59	60	1-645235-8
4	3-6, 55-58, 63-66, 115-118							
3	3-6, 65-68, 73-76, 135-138	175.26 [6.900]	180.34 [7.100]	181.61 [7.150]	184.04 [7.260]	69	70	1-645235-7
3	3-6, 65-68	86.36 [3.400]	91.44 [3.600]	92.71 [3.650]	95.50 [3.760]	34	35	1-645235-1
3	3-6, 31-34	43.18 [1.700]	48.26 [1.900]	49.53 [1.950]	52.32 [2.060]	17	18	645235-4
3	3-6, 49-52, 95-98	124.46 [4.900]	129.54 [5.100]	130.81 [5.150]	133.60 [5.260]	49	50	645235-3
3	3-6, 29-32, OR 31-34, 57-60	76.20 [3.000]	81.28 [3.200]	82.55 [3.250]	85.34 [3.360]	30	31	645235-1
GOLD PLATING	BOARD RETENTION FEATURE LOCATION	D	C	B	A	X	NO OF DUAL POSITIONS	PART NUMBER

THIS DRAWING IS A CONTROLLED DOCUMENT.

DIMENSIONS: mm [INCHES]	TOLERANCES UNLESS OTHERWISE SPECIFIED:	DWN: RS/LA.MAYER 29FEB2008	CHK: A.W.FRANTUM 29FEB2008	APVD: S.FLICKINGER 29FEB2008	NAME: CONNECTOR ASSEMBLY, STANDARD EDGE II, 2.54 [.100] CENTERLINE
0 PLC ± -	1 PLC ± -	2 PLC ± 0.13 [.005]	3 PLC ± -	4 PLC ± -	SIZE: 114-13018
ANGLES ± -	FINISH: SEE NOTE 2	WEIGHT: -	SCALE: 5:1	SHEET: 1 OF 1	REV: AFW

CUSTOMER DRAWING